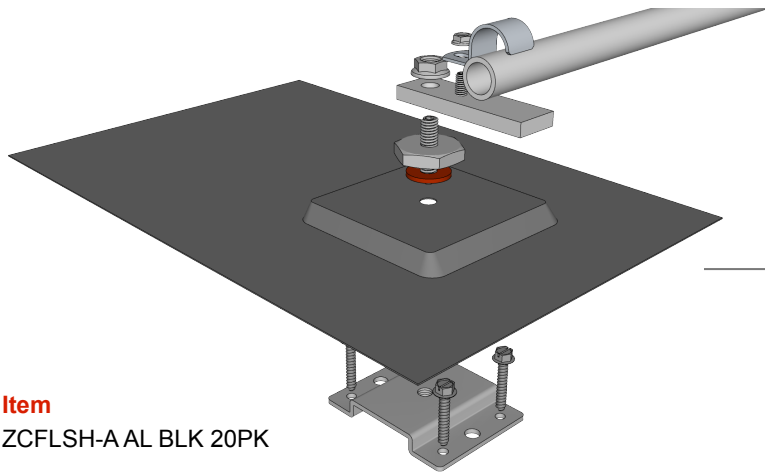


# Conduit Mount Flashing Assembly

## Product Overview

- Attaches directly to the sheathing — allows precise placement of conduit for optimum speed and versatility in the field;
- Provides multi-directional 360-degree conduit mounting;
- Simple, secure installation of 1/2" and 3/4" conduit using one-hole conduit straps;
- Patented low-profile, minimalist design positions conduit 1" above the flashing;
- Uses installation method of attachment first, flashing second, and watertight seal third to provide three layers of dependable waterproof protection;
- Made in the USA and backed by a 25-year warranty.



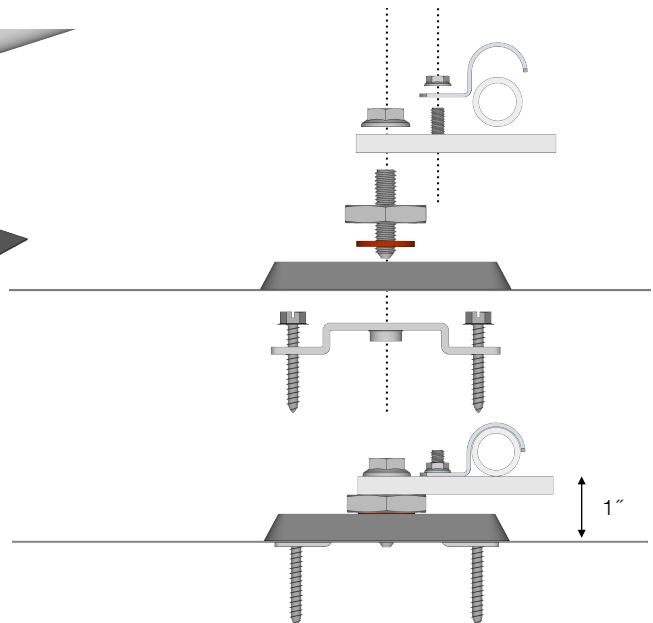
**Item**  
ZCFLSH-A AL BLK 20PK

**Description**  
Zilla Conduit Flashing Assembly 20PK  
(Sold in boxes of 20)

### Parts Included per Unit

- (1) Base Plate
- (1) 9-1/2" x 15" Flashing
- (1) Double Stud with EPDM Washer
- (1) Conduit Plate
- (1) 1/4" Lock Nut
- (1) 3/8" Lock Nut
- (4) #14 x 1-1/2" Lag Screws

*Conduit and conduit strap are not included.*



### Installation

1. Attach Base Plate to sheathing with #14 x 1-1/2" Lag Screws.
2. Attach Flashing to Base Plate using Double Stud with EPDM Washer.
3. Attach Conduit Plate to Double Stud with 3/8" Lock Nut.
4. Attach Conduit Strap to Conduit Plate with 1/4" Lock Nut.

*This flashing has passed 3rd party rain testing for roof flashings in accordance with AC 286 evaluation standards using the methodology of UL 441.*