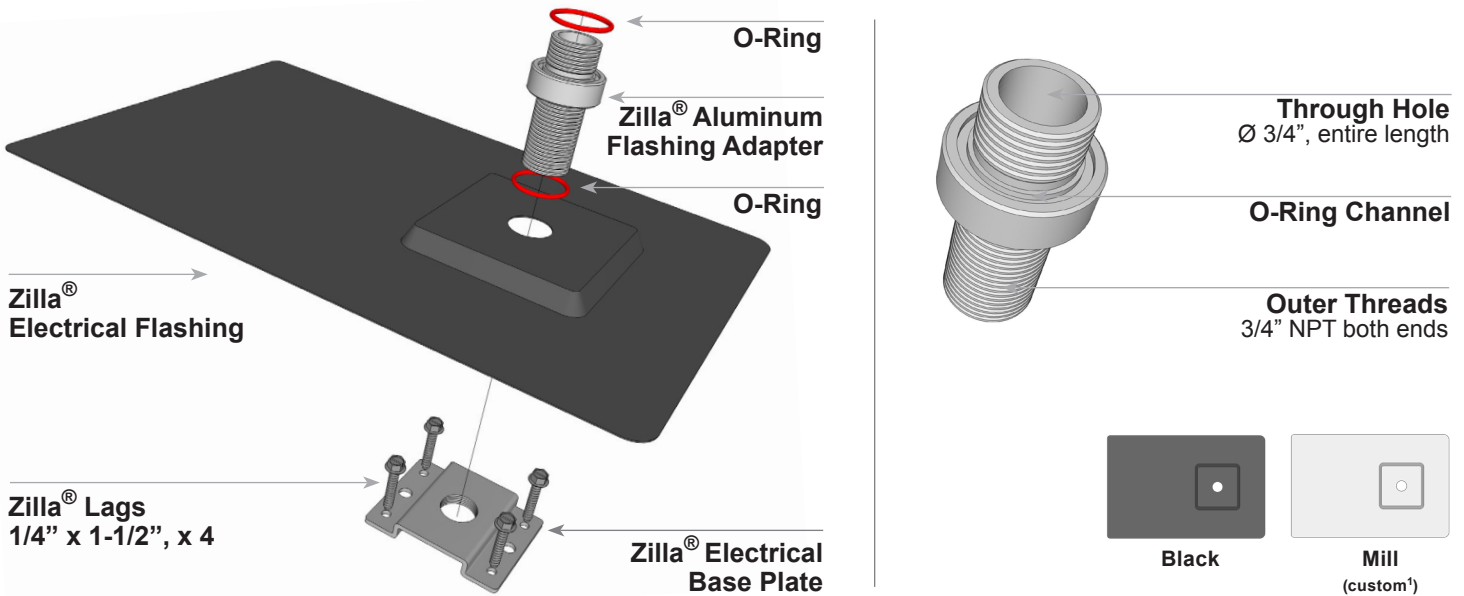





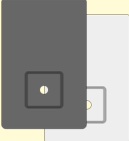


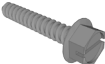
Zilla® Electrical Flashing Assembly

Technical Specifications

US Pat. 8,479,455 • ZEFLSH-A AL BLK / ZEFLSH-A AL MF¹



Zilla® Electrical Flashing Assembly is available in Black (ZEFLSH-A AL BLK) or custom colors¹ and includes: Electrical Base Plate, 4 mounting lags, Electrical Flashing, Aluminum Flashing Adapter and 2 O-Rings.

PRODUCT	DESCRIPTION	MATERIALS	SIZE	WEIGHT	COLOR
 Zilla® Aluminum Flashing Adapter	Threaded Adapter to allow for a 3/4" fitting and a standard Conduit Body or Junction Box to be attached through the Electrical Flashing and sealed when paired with an O-Ring.	6061 T6 Aluminum	Ø 1-1/2" x 2-5/8" long; 3/4" NPT, both ends; inside Ø 3/4" through hole.	0.2 lb.	Mill Al
 Zilla® Electrical Flashing <i>(not included for metal roofs)</i>	Sits on top of the Base Plate, and is attached with the Aluminum Flashing Adapter. 26 ga.	Aluminum	14.75" L x 9.75" W x 0.6" H	0.7 lb.	Black
		Aluminum			Mill ¹
 Zilla® Electrical Base Plate	Base Plate is attached to the roof with provided Zilla® Lags. Flashing is attached to the Electrical Base Plate using the Aluminum Flashing Adapter.	G-90 Galvanized Steel 7 gauge	3.88" L x 3" W x .52" H	0.2 lb.	Mill
 Zilla® O-ring <i>(two included)</i>	Creates a seal against the Adapter.	Rubber	1" ID X 1-3/16" OD Ø 3/32"	< 0.1 lb.	Varies
 Zilla® Lags <i>(four included)</i>	Hex head, 1/4" x 1-1/2", fits 3/8" socket. Four (4) included.	Zinc	1.75" L x Ø 1/2"	< 0.1 lb.	Zinc

¹ Flashing available in Mill and custom colors, call for details and availability, minimum orders may apply.

Zilla® So Simple It's ScarySM

77 Waneka Pkwy • Lafayette, CO 80026 • 720.880.6700 • fax 303.664.1268 • zillarac.com

 MADE IN USA  MADE WITH RECYCLED MATERIAL © 2016 Zilla Corporation. All rights reserved.