

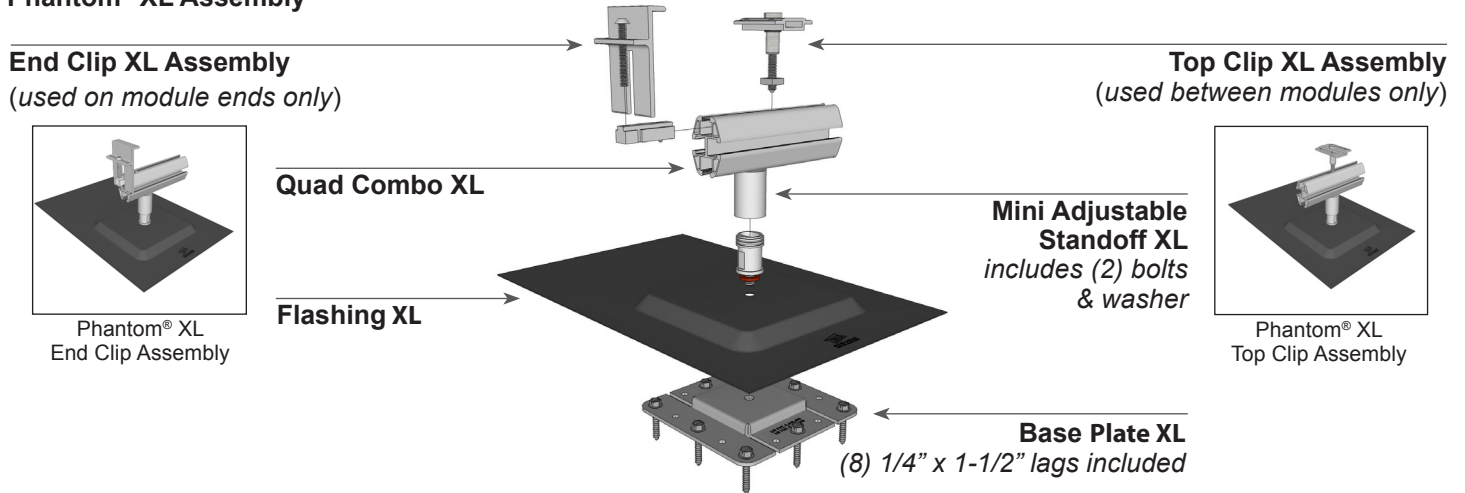


Phantom[®] XL

Technical Specifications

One or more patents apply to this product including without limitation: US Pat. 8,448,405; 8,479,455; 8,707,654; 8,689,517; 8,707,655; 8,833,032; 8,833,033; and/or 8,752,338.

Phantom[®] XL Assembly



Phantom[®] XL is available in Black or custom colors¹ and includes: Base Plate XL, 8 lags, Flashing XL, Mini Adjustable Standoff XL, washer, Quad Combo XL, End Clip XL Assembly, Top Clip XL Assembly and necessary hardware.

PRODUCT	DESCRIPTION	MATERIALS	SIZE	COLOR
End Clip XL Assembly	Clip assembly used to secure modules at the end of an array or individually on both sides. 1/4"-20 SS bolt, set screw included.	Aluminum	2" L x 2" W x 3-1/8" H	Mill Black
Top Clip XL Assembly	Clip assembly used to secure two modules to the Quad Combo XL in the middle of an array. 5/16"-18 SS set bolt and square nut included.	Aluminum	2" L x 1-3/4" W x 2-7/8" H	Mill Black
Quad Combo XL	Zilla [®] Quad Combo rail section acts as support and attachment point for modules. Connects between Mini Standoff and End/Top Clip.	Aluminum	6" L x 1-1/2" W x 2" H	Mill
Mini Adjustable Standoff XL	Provides vertical adjustment between Flashing and Quad Combo XL. 3/8"-16 SS hardware and encapsulated gland washer included.	Aluminum	Ø1.375" x 1.75" - 2.75" (~1" adjustment)	Mill
Flashing XL	Sits on top of the Base Plate XL, and is captured by the Mini Standoff. 26 ga.	Aluminum	15" L x 9-7/8" W x 1/2" H	Black Mill ¹
Base Plate XL	Base Plate is attached to the roof with lags. Flashing is attached to the Base Plate using the Mini Standoff.	Galvanized Steel	6" L x 6" W x 1/2" H	Mill
Lags (eight included)	1/4" x 1-1/2" lags. Eight (8) included.	Zinc	3/8" hex drive	Zinc

¹ Flashing available in Mill and custom colors, call for details and availability, minimum orders may apply.

Zilla[®] So Simple It's ScarySM

77 Waneka Pkwy • Lafayette • CO 80026 • 720.880.6700 • fax 303.655.0379 • zillarac.com

MADE IN USA MADE WITH RECYCLED MATERIAL © 2015 Zilla Corporation. All rights reserved.