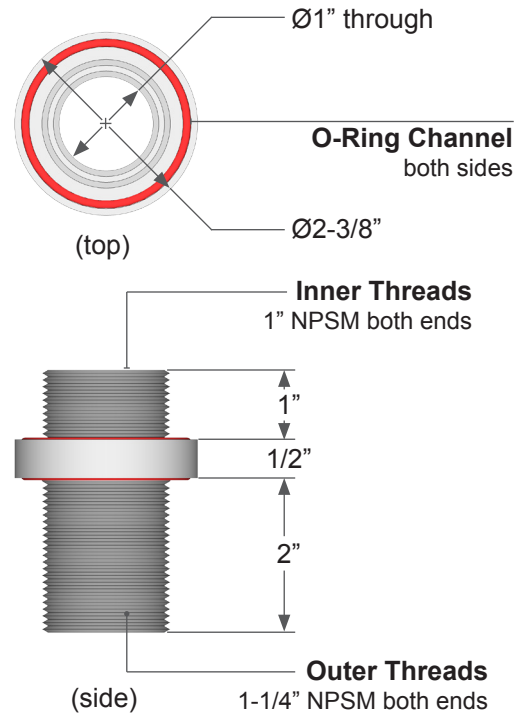
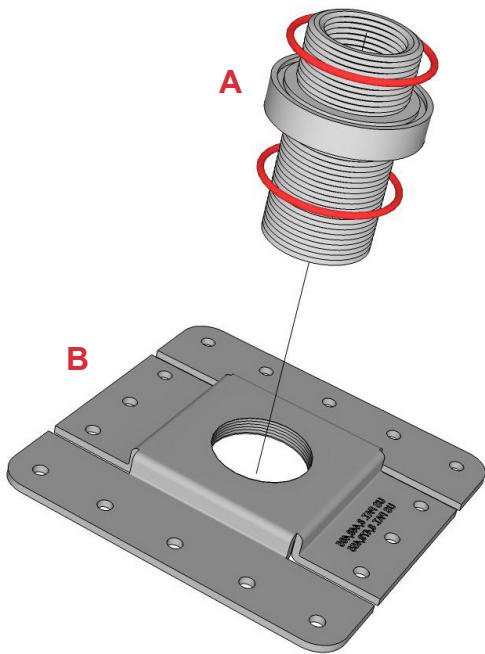




Metal Roof Electrical XL Adapter

Technical Specifications

Metal Roof Electrical XL Adapter · ZEA-A XL MR
 1-1/4" O.D., 1" I.D. NPSM



Item	Component	Qty	Description
A	Electrical XL Adapter with (2) EPDM O-rings	1	Ø2-3/8" x 3-1/2" L, 1-1/4" NPSM both ends, 1" NPSM both ends inside, 6061 T6 Aluminum, Mill
B	Electrical XL Base Plate	1	6" L x 6" W x 1/2" H, 5052-H32 Aluminum, Mill

One or more patents apply to this product including without limitation: US Pat. 8,448,405; 8,479,455; 8,661,765; 8,689,517; 8,707,654; 8,707,655; 8,752,338; 8,833,032; 8,833,033; 8,869,490; 9,068,339; 9,106,023; 9,473,064; D415,847; D617,174; D636,656; D639,143; and/or D639,144.

