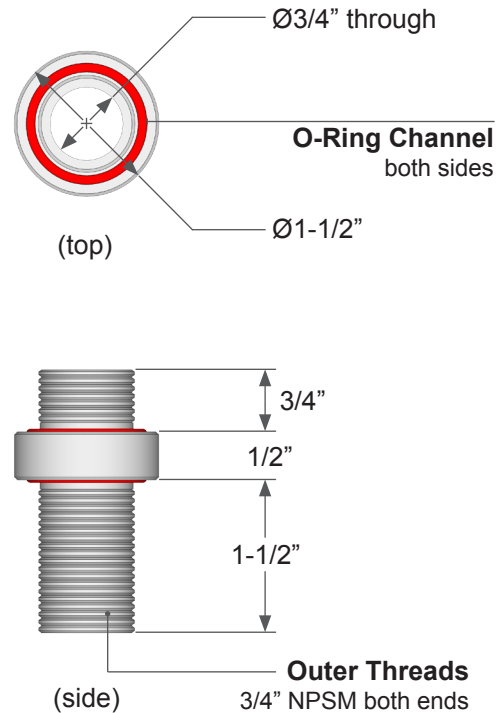
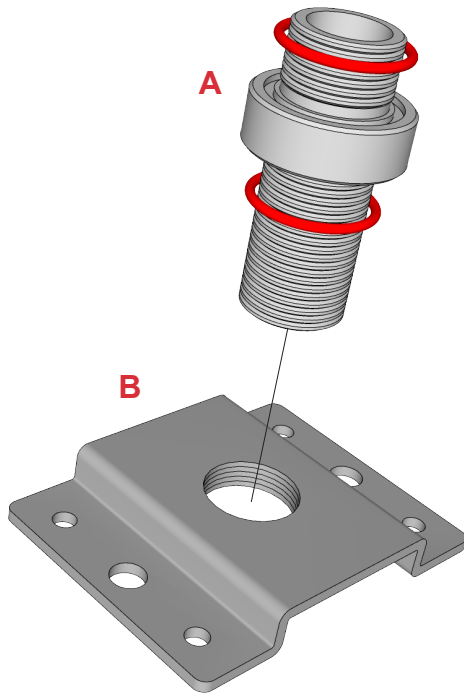




Metal Roof Electrical Adapter

Technical Specifications

Metal Roof Electrical Adapter · ZEA-A MR
 3/4" O.D. NPSM



Item	Component	Qty	Description
A	Electrical Adapter with (2) EPDM O-rings	1	Ø1-1/2" x 2-3/4" L, 3/4" NPSM both ends, 3/4" through hole, 6061 T6 Aluminum, Mill
B	Electrical Base Plate	1	4" L x 3" W x 1/2" H, 7 ga HRPO Zinc Plated Steel, Mill

One or more patents apply to this product including without limitation: US Pat. 8,448,405; 8,479,455; 8,661,765; 8,689,517; 8,707,654; 8,707,655; 8,752,338; 8,833,032; 8,833,033; 8,869,490; 9,068,339; 9,106,023; 9,473,064; D415,847; D617,174; D636,656; D639,143; and/or D639,144.

