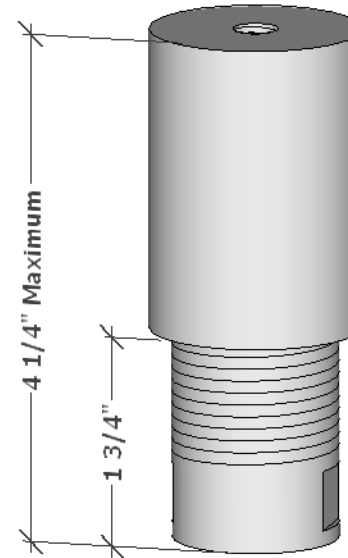
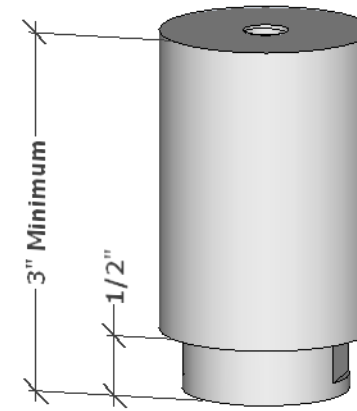


ZILLA STANDOFF BASE 2.5 + CAP
Exploded View
SCALE N/A



ZILLA STANDOFF BASE 2.5" + CAP
Maximum Height
SCALE N/A



ZILLA STANDOFF BASE 2.5" + CAP
Minimum Height
SCALE N/A