



Zilla® Electrical Flashing Assembly

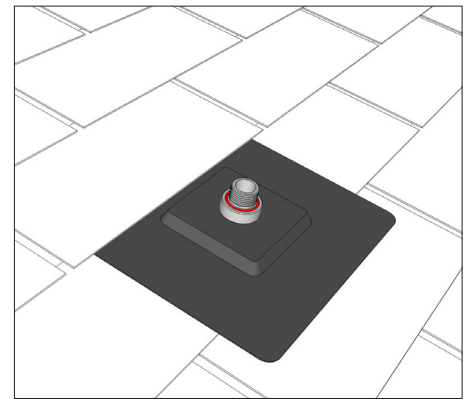
Overview

US Pat. 8,479,455 - ZEFLSH-A AL BLK / ZEFLSH-A AL MF¹

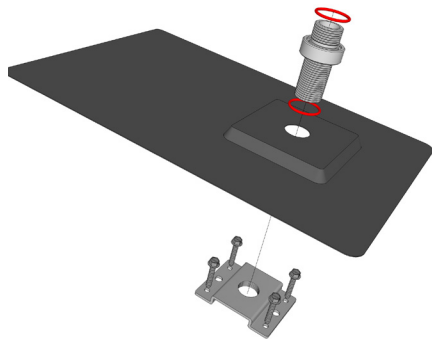
Zilla® Electrical Flashing Assembly is a fully flashed, waterproof method of mounting standard electrical components, quickly, easily, and inexpensively.

- Patented sealing technology protects penetrations from water intrusion
- Adapter made of Aluminum
- Has 3/4" NPT threads compatible with most standard components, ie, combiner boxes, junction boxes, entrance panels, conduit bodies, etc.
- Solid, secure attachment
- Ideal for use with shingles or siding
- Other applications: satellite dish cables, weather monitoring equipment, ham radio wiring, ethernet cabling, etc.
- Available for metal roofs

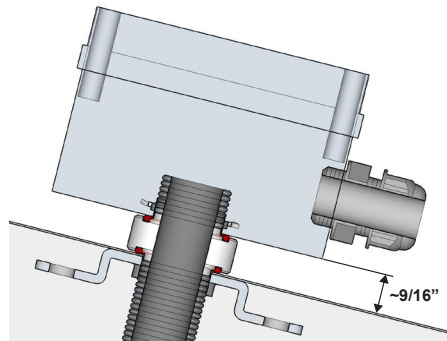
Zilla® Electrical Flashing Assembly Finished Look



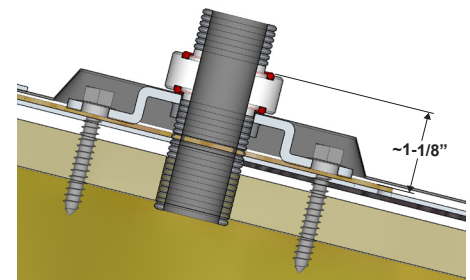
Assembly (lags included)



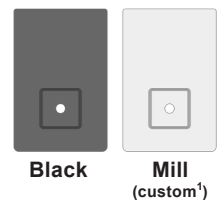
Side view of Assembly installed on Metal Roof showing Junction Box (not included)



Cross section of installed Assembly



Zilla® Electrical Flashing Assembly is available in Black (ZEFLSH-A AL BLK) or custom colors¹ and includes: Electrical Base Plate, 4 mounting lags, Electrical Flashing, Aluminum Flashing Adapter and 2 O-Rings.



¹ Flashing available in Mill and custom colors, call for details and availability, minimum orders may apply.

Zilla® So Simple It's ScarySM

77 Waneka Pkwy • Lafayette, CO 80026 • 720.880.6700 • fax 303.664.1268 • zillarac.com

MADE IN USA MADE WITH RECYCLED MATERIAL © 2016 Zilla Corporation. All rights reserved.