

Zilla® Top Clip

Installation Guide



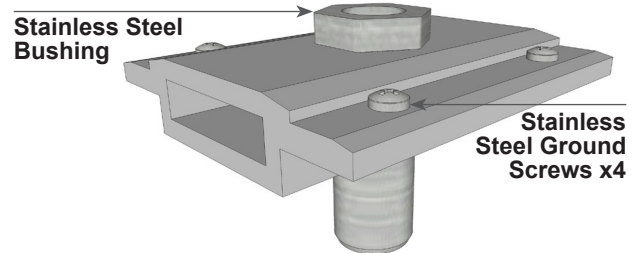
PATENT PENDING

Zilla® Top Clip is designed to achieve:

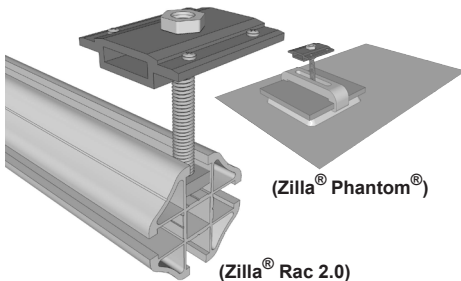
- module to module grounding in virtually any system
- module to rail grounding with Zilla® Rails
- single point of array grounding

Parts & Tools needed (in addition to the Top Clip):

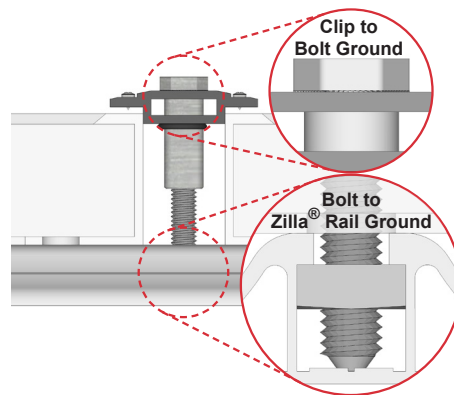
- 5/16"-18 Set Bolt, Stainless Steel, cup point (length per design)
- 5/16"-18 Square Nut, Stainless Steel
- Zilla® Phantom®, Zilla® Rail set or other 5/16"-18 threaded hardware
- Torque wrench (5/32") and 9/16" socket to fit 3/8" hardware



Installation Steps



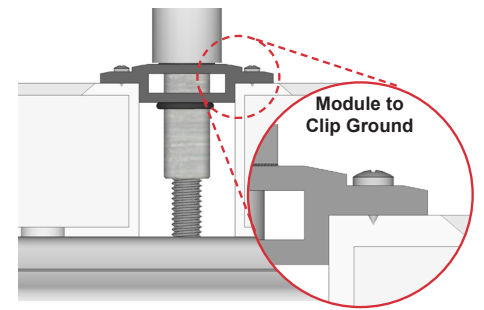
1 Prepare
Locate Set Bolt either on Zilla® Rail or Zilla® Phantom®. Thread the Stainless Steel Bushing of the Zilla® Top Clip onto the bolt. Temporarily engage a few threads.



2 Assemble
Place modules down upon Zilla® Rail sets, Zilla® Phantoms® or virtually any system per instructions. Loosen Set Bolt if needed and slide within channel until inside vertical face of Top Clip is flush against the first installed module. Tighten the Set Bolt to 6-7 ft-lbs using a 5/32" Allen wrench.

This causes the cup point of the Set Bolt to cut into the metal of the Zilla® Rail or Zilla® Phantom® Deck to create an electrical ground up to 650 Amps. Slide the next module into place and press it flush against the inside vertical face of the Top Clip.

TIP: Spin Bushing to adjust the Top Clip up or down to mate vertical faces.



3 Finish
With the modules flush against the racking or Phantom® Deck and snugly pinching the Top Clip, tighten the Bushing of the Top Clip to 13 ft-lbs using a 9/16" socket. This forces the Stainless Steel Grounding Screws to penetrate into the module frame of both modules creating a ground between both modules through the aluminum body of the Top Clip.

The serrated teeth on the bottom of the Bushing also cut into the body of the Top Clip and transfers ground from the modules to the Zilla® Rail or Zilla® Phantom® via the Stainless Steel Set Bolt. The Zilla® Top Clip can be used to create a single point of array grounding by adding clips between rows.



Intertek
 4010748

CONFORMS TO
 ANSI/UL STD 467
 CERTIFIED TO
 CSA STD C22.2 NO. 41

Zilla® So Simple It's ScarySM

77 Waneka Pkwy • Lafayette • CO 80026 • 720.880.6700 • fax 303.655.0379 • zillarac.com

MADE IN USA MADE WITH RECYCLED MATERIAL © 2015 Zilla Corporation. All rights reserved.

v062215