



Zilla® Double Stud XL Flashing

Installation Instructions

One or more patents apply to this product including without limitation: US Pat. 8,448,405; 8,707,654; 8,689,517; 8,707,655; and/or 8,752,338.
ZDSFA-AL XL / ZDSFA-AL BLK XL

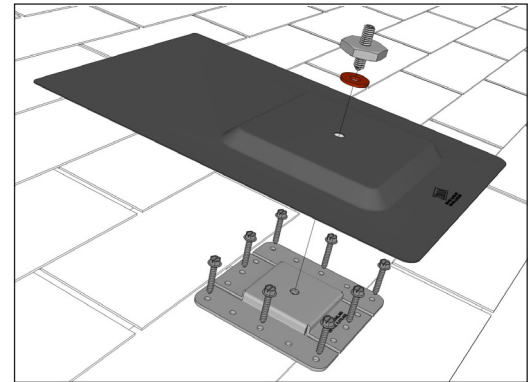
Use the following instructions to install the Zilla® Double Stud XL Flashing Assembly directly to sheathing or into structural members per system design specifications. Follow shingle manufacturer recommendations and AHJ requirements for exposure and proper coverage.*

Parts included in the assembly:

- Zilla® Base Plate XL
- Zilla® Flashing XL
- Zilla® Double Stud with Encapsulated Gland Washer
- 8 1/4" x 1-1/2" lags

Other requirements:

- Drill/Driver to secure hardware
- 3/8" hex Drive socket to match fastening hardware



Installation Steps

Withdrawal (Pull-Out) Capacities (pounds per inch of thread penetration)

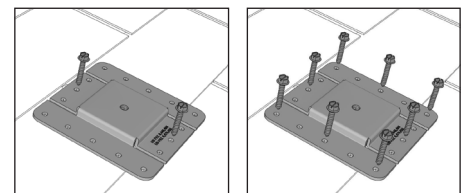
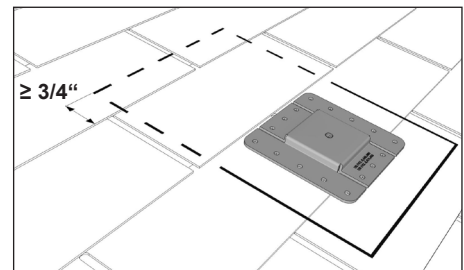
LUMBER SPECIES	SPECIFIC GRAVITY	1/4" LAG SCREW
Douglas Fir-Larch	0.5	252
Douglas Fir-South	0.46	223
Englemann Spruce-Lodgepole Pine	0.46	223
Hem-Fir	0.43	200
Hem-Fir (North)	0.46	223
Southern Pine	0.55	291
Spruce-Pine-Fir	0.42	194
Spruce-Pine-Fir (South)	0.36	153
Western Cedars	0.36	153
OSB/Plywood	0.5	252

Assumptions:

- Tabulated values above based on American Wood Council, NDS 2012 Table 10.3.1 and Table 11.2A
- Information for reference only. Engineer of Record shall be consulted for actual design.
- Thread penetration does not include roofing thickness
- Wind Uplift Load Duration, 10 minutes: CD =1.6
- Values listed above for dry (MC < 19%) lumber
- Rooftop Temperature Range, 125° F < T ≤ 150° F: Ct =0.7
- Thread penetration into side grain of structural member

*It is the installer's sole responsibility to verify compliance of this product with the AHJ prior to installation of product.

1 Attach the Base Plate XL
Place Base Plate XL upon deck so installed Flashing is ≥ 3/4" beneath shingle course above in accordance with AHJ.



Structural attachment Sheathing attachment

Attach the Base Plate with approved fasteners per AHJ or engineer of record. **DO NOT OVERTIGHTEN FASTENERS!**

Continued on next page

Zilla® So Simple It's ScarySM

77 Waneka Pkwy • Lafayette, CO 80026 • 720.880.6700 • fax 303.664.1268 • zillarac.com

MADE IN USA MADE WITH RECYCLED MATERIAL © 2016 Zilla Corporation. All rights reserved.



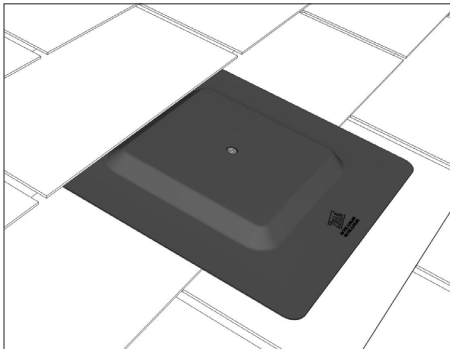
Zilla® Double Stud XL Flashing

Installation Instructions Continued

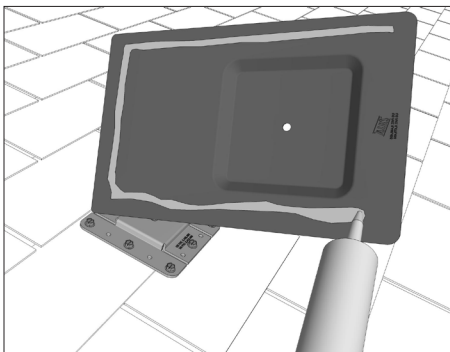
One or more patents apply to this product including without limitation: US Pat. 8,448,405; 8,707,654; 8,689,517; 8,707,655; and/or 8,752,338.
ZDSFA-AL XL / ZDSFA-AL BLK XL

Installation Steps

2 Attach the XL Flashing
Carefully install the Flashing under the shingle course above with the required coverage. Follow shingle manufacturer recommendations and AHJ requirements for exposure and proper coverage.

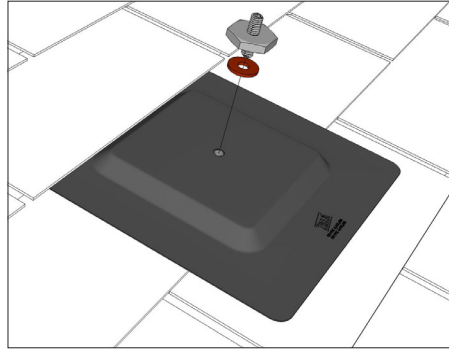


Align the Flashing over the threaded hole in the Base Plate.



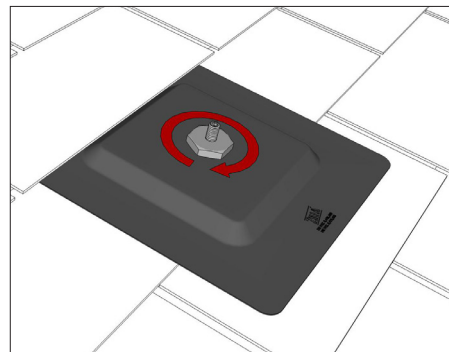
Optional: On the underside of the Flashing, apply a bead of caulk to the top and both sides of the Flashing prior to installation for added protection. Do not caulk the lower sloped edge of the Flashing.

3 Attach the Double Stud
Thread the Double Stud with the washer side down into the hole. Turn the Double Stud by hand to sandwich the Flashing between Base Plate and Double Stud (washer).

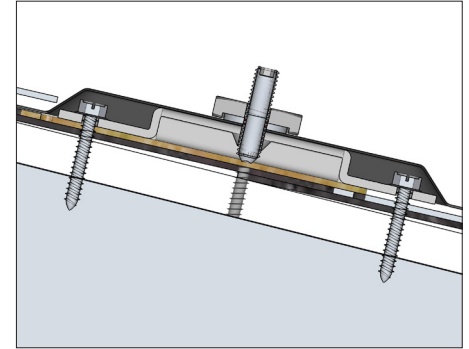


NOTE: Once the Flashing is in firm contact with the Base Plate and washer, turn the Double Stud 1/4 turn to tighten.

DO NOT OVERTIGHTEN the Double Stud.



4 Inspect the Connection
Visually inspect the connection. Verify the Washer is properly seated and the reveal around the Gland Nut is even.



Congratulations: the Zilla® Double Stud XL Flashing Assembly is now complete – So Simple It's Scary!™

Zilla® So Simple It's Scary™

77 Waneka Pkwy • Lafayette, CO 80026 • 720.880.6700 • fax 303.664.1268 • zillarac.com

MADE IN USA MADE WITH RECYCLED MATERIAL © 2016 Zilla Corporation. All rights reserved.

v102016