



Zilla® Zip® Flashing Assembly

Installation Instructions

US Pat. 8,448,405 - ZZFA-AL BLK / ZZFA-AL MF

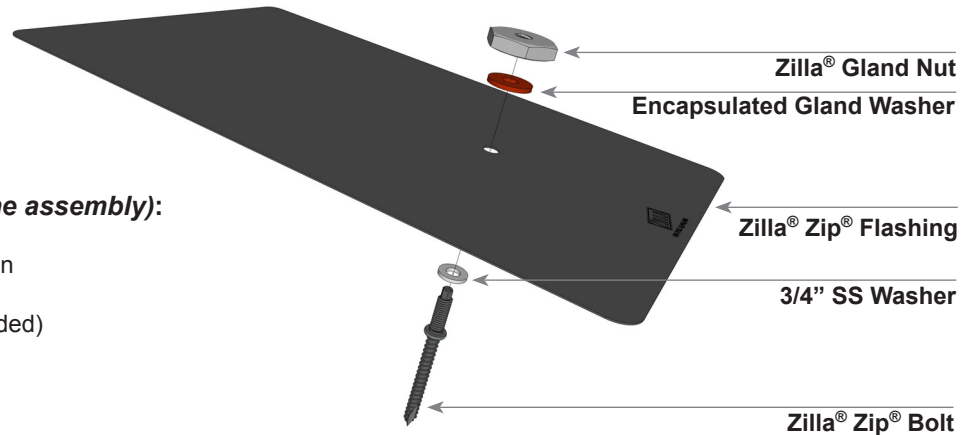
Use the following instructions to install the Zilla® Zip® Flashing.

Parts included in the assembly:

- Zilla® Zip® Flashing
- Zilla® Zip® Bolt
- 3/4" Stainless Steel (SS) Washer
- Zilla® Zip® Gland Nut
- Encapsulated Gland Washer

Parts & Tools needed (in addition to the assembly):

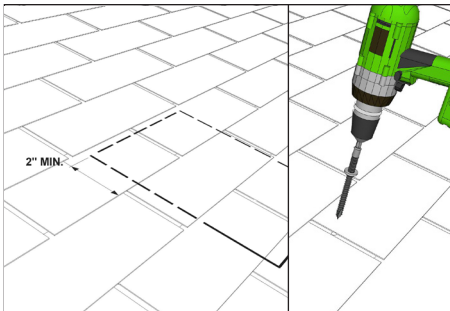
- Battery Powered Impact Driver
- Crescent wrench adjustable to 1-3/8" span
- Caulk and gun (optional)
- Gloves for handling Flashing (recommended)



Installation Steps

1 Mark location

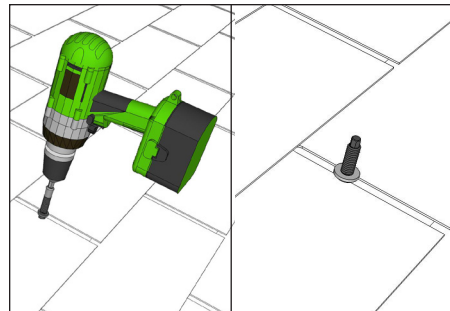
Place Flashing in proper location per design and trial fit Flashing beneath shingle. Mark hole centered on support member.



Ensure a 2" minimum coverage of shingles above flashing or per AHJ (Authority Having Jurisdiction). Prepare the roof for Flashing installation in accordance with AHJ and shingle manufacturer recommendations.

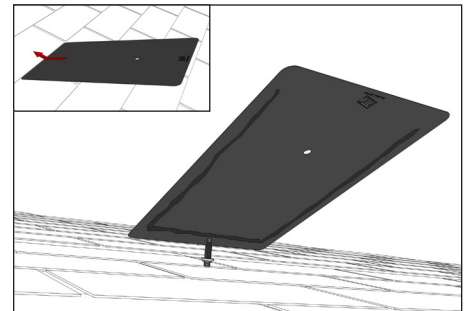
2 Prepare and install the Zip® Bolt

Make sure the Zilla® Zip® Bolt is perpendicular to the roof surface.



Install Zilla® Zip® Bolt using an impact driver until shoulder sits snugly against shingles. The Zilla® Zip® Bolt will fit into most impact drivers without any added tools. Place 3/4" Stainless Steel Washer onto Zip® Bolt shoulder prior to installing flashing.

3 Install Flashing



Optional: On the underside of the Flashing, apply a bead of caulk to the top and both sides of the Flashing prior to installation for added protection. Do not caulk the lower sloped edge of the Flashing.

Gently lift the row of shingles above the Zilla® Zip® Bolt. Install the Zilla® Zip® Flashing coated/color side up.

Continued on next page

Zilla® So Simple It's ScarySM

77 Waneka Pkwy • Lafayette, CO 80026 • 720.880.6700 • fax 303.664.1268 • zillarac.com

MADE IN USA MADE WITH RECYCLED MATERIAL © 2016 Zilla Corporation. All rights reserved.

v102116



Zilla® Zip® Flashing Assembly

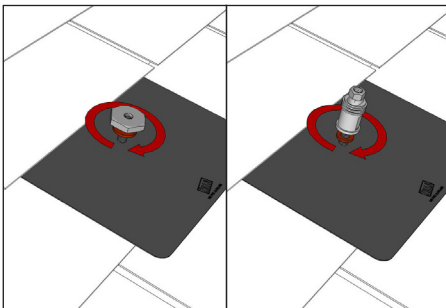
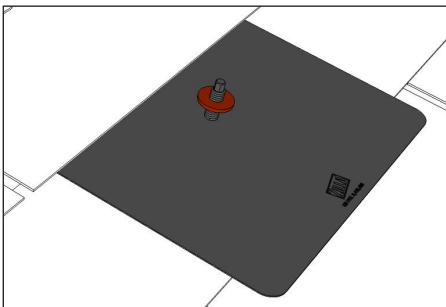
Installation Instructions Continued

US Pat. 8,448,405 - ZZFA-AL BLK / ZZFA-AL MF

Installation Steps

4 Attach the Gland Nut or Mini Standoff Base

Install Encapsulated Gland Washer onto the Zilla® Zip® Bolt. Make sure to match the appropriate size washer provided with each component.

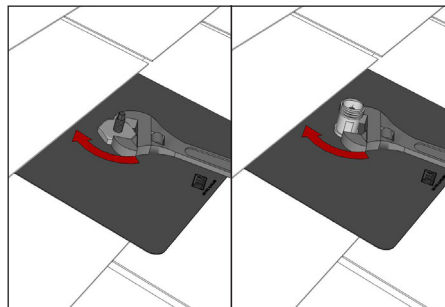


Gland Nut: Thread Zilla® Zip® Gland Nut onto Zilla® Zip® Bolt by hand, washer side down.

Mini Standoff: Thread the Zilla® Mini Standoff Base on the Zilla® Zip Bolt using the 3/8" hex nut as shown.

5 Secure

Using a hand wrench if necessary, tighten onto Zilla® Zip® Bolt until Gland Washer creates a snug seal with Flashing.



Tighten approximately 1/4-1/2 turn after Washer is properly seated and Flashing to Stainless Steel Washer contact is achieved.

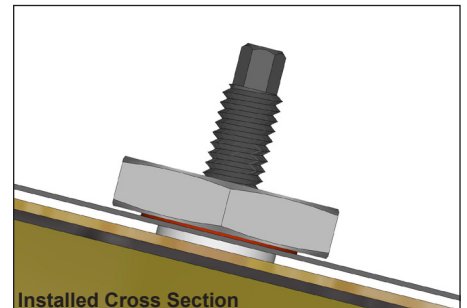
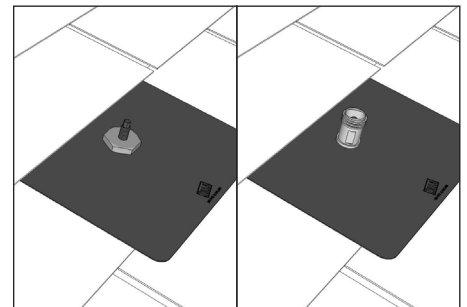
DO NOT OVERTIGHTEN!

Disclaimer

The installer is fully responsible for getting the system verified and approved for all local and state building codes and all Authorities Having Jurisdiction (AHJ). Zilla Corporation assumes no liability whether expressed or implied.

6 Complete the Installation

Visually inspect the connection. Verify the Washer is properly seated and the reveal around the Gland Nut is even.



Zilla® Zip® Flashing is now installed and ready for attachments.

Removing the Zilla® Zip® Bolt

Zip® Bolts can be removed using an impact driver. Remove the Gland Nut or Mini Standoff Base, matching washer, and Flashing prior to backing out the Zip® Bolt. Always take precautions to properly mend the hole left behind if it's not to be used in the future.

Zilla® So Simple It's ScarySM

77 Waneka Pkwy • Lafayette, CO 80026 • 720.880.6700 • fax 303.664.1268 • zillarac.com

MADE IN USA MADE WITH RECYCLED MATERIAL © 2016 Zilla Corporation. All rights reserved.

v102116