



Zilla® Universal End Clip

Installation Instructions

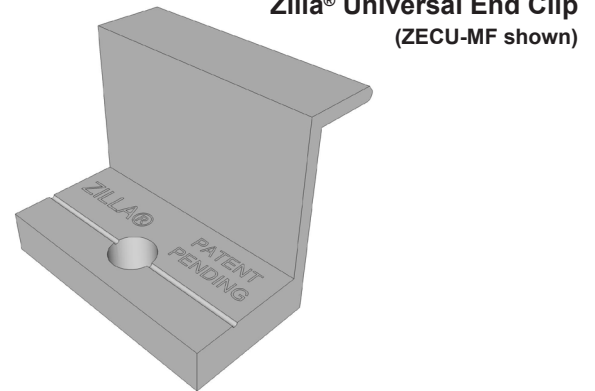
Patent Pending - ZECU-MF / ZECU-BLK

Parts provided:

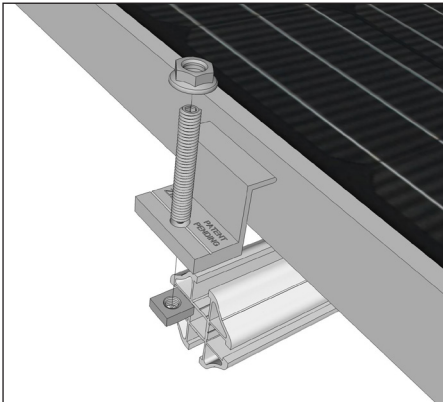
- Zilla® Universal End Clip (Mill Finish or Black Anodized)
- 5/16"-18 x 2" Set Bolt, Stainless Steel, Cup Point
(Allows modules from 34mm up to 52mm. Longer set bolts are available to fit thicker modules.)
- 5/16"-18 Square Nut, Stainless Steel
- 5/16"-18 Serrated Flange Nut, Stainless Steel

Parts & Tools needed (in addition to the End Clip):

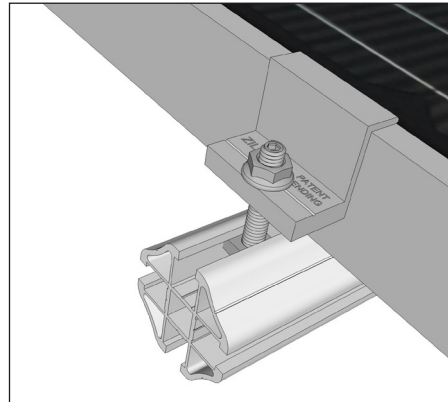
- Zilla® Rail (Rac 2.0, Quad Combo, Dual Grip, Grip, or other rail compatible with 5/16"-18 threaded hardware)
- Torque wrench with 5/32" hex attachment and 1/2" socket



Installation Steps



1 Prepare
Place module down upon preinstalled Zilla® Rail sets or virtually any system per instructions. Insert Set Screw into Zilla® End Clip from above and capture Square Nut below. Slide Square Nut into adjacent slot near intended outside edge of module.



2 Assemble
Slide End Clip subassembly flush against module faces, side and top. Hold End Clip firmly in place, tighten the Set Bolt to 6-7 ft-lbs using a 5/32" hex torque wrench, then tighten the Serrated Flange Lock Nut to 13 ft-lbs using a 1/2" socket.

Installer Note: Ensure the module is secure both vertically and horizontally before proceeding to the next clip.

Zilla® So Simple It's ScarySM

77 Waneka Pkwy • Lafayette, CO 80026 • 720.880.6700 • fax 303.655.0379 • zillarac.com

MADE IN USA MADE WITH RECYCLED MATERIAL © 2015 Zilla Corporation. All rights reserved.

v062215