



# Metal Roof Electrical XL Adapter

## Installation Instructions

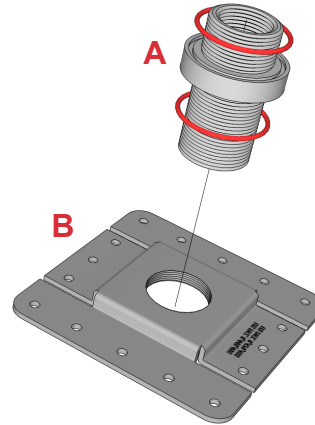
Metal Roof Electrical XL Adapter · ZEA-A XL MR  
1-1/4" O.D., 1" I.D. NPSM

### Parts included:

- A. Electrical XL Adapter with (2) EPDM O-Rings
- B. Electrical XL Base Plate

### Tools needed:

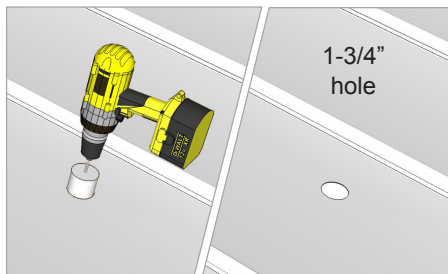
- Drill/Driver
- 1-3/4" hole saw



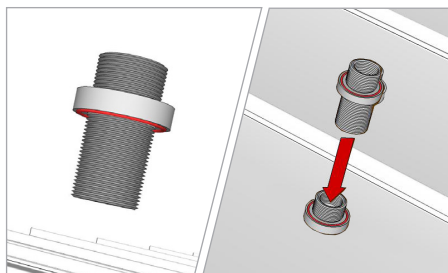
### Installation Steps

#### 1 Install Adapter

Select a spot on the roof to allow the entire diameter of the Adapter to sit flush against the roof to create a waterproof seal.



Check for obstacles, measure a minimum of 4-1/2" from joists, bracings or seams. Create a center mark for your hole. Drill a through hole using a 1-3/4" hole saw.

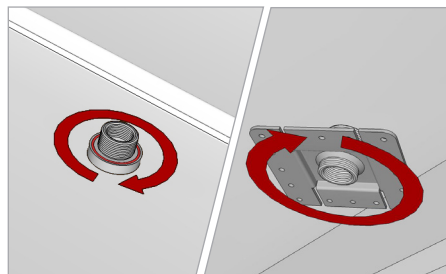


With an O-ring pressed in the channel on the underside against the metal roof insert the long end of the Adapter into the hole.

One or more patents apply to this product including without limitation: US Pat. 8,448,405; 8,479,455; 8,661,765; 8,689,517; 8,707,654; 8,707,655; 8,752,338; 8,833,032; 8,833,033; 8,869,490; 9,068,339; 9,106,023; 9,473,064; D415,847; D617,174; D636,656; D639,143; and/or D639,144.

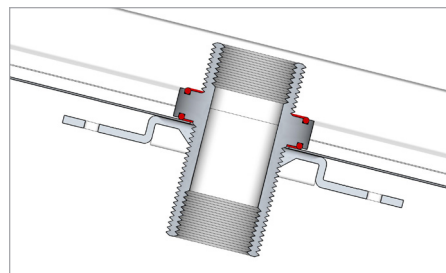
#### 2 Secure Base Plate

Thread the Adapter into the Base Plate from above or below depending upon clearance. Ensure raised feature on the Base Plate is facing up for best seal.



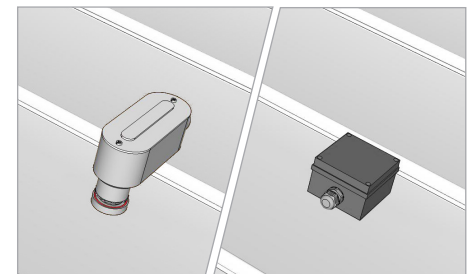
**NOTE:** Once the O-ring and Base Plate are in firm contact with the metal roof material, spin 1/4 turn to tighten.

**DO NOT OVERTIGHTEN**



#### 3 Complete the Installation

Attach components such as a Conduit Body or Junction Box as necessary.



**Note:** when using a Combiner Box, insert the second O-Ring between the Adapter and body of the box to create a water tight seal. Secure with 1-1/4" lock nut.

