



End Clip XL

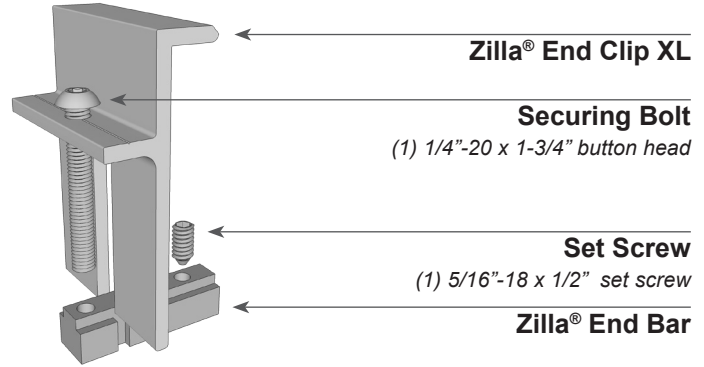
Installation Instructions for Rail Systems

Parts included in each assembly:

- Zilla® End Clip XL
- Zilla® End Bar
- (1) 1/4"-20 x 1-3/4" button head bolt
- (1) 5/16"-18 x 1/2" set screw

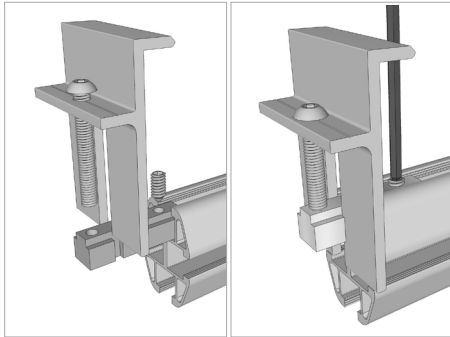
Other requirements:

- 5/32" allen wrench
- Torque wrench
- Compatible Zilla® Rail System



Installation Steps:

1 Assemble & Secure End Clip XL
Slide the End Clip XL upon the End Bar as shown. Thread the button head bolt through the End Clip XL and into the End Bar to secure.

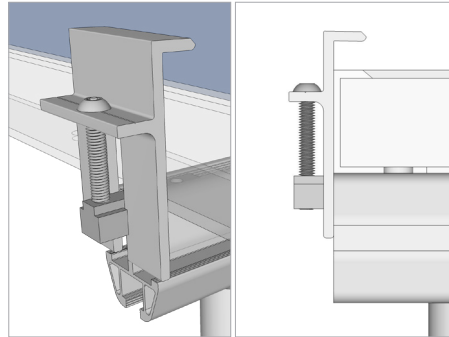


Thread Set Screw into the End Bar and insert the assembled End Clip XL into the channel of the Zilla® Rail so that the vertical portion of the End Clip XL is flush against the rail as shown.

Tighten Set Screw against the Zilla® Rail, set to 13 ft-lbs using a 5/32" allen wrench.

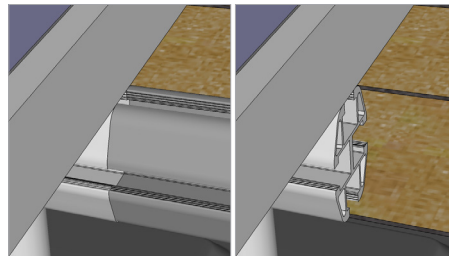
Tip: The End Clip XL can be used with any Zilla® Rail section that has the channel feature. Ensure sufficient clearance for vertical legs of the End Clip XL when securing the module.

2 Place First Module(s) in the row
Capture the end module at each side of the row so that the module frame sits against the vertical portion of the End Clips and flush against the rail(s).



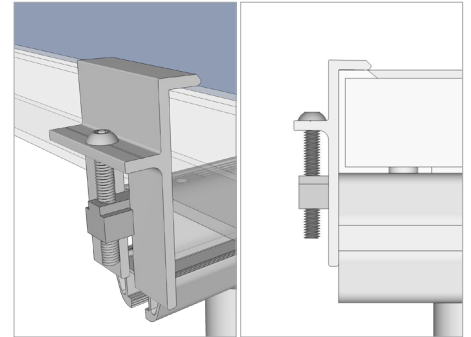
Visually inspect to verify the ends of the rails are flush with the module edge.

Tighten the button head bolt to 12 ft-lbs using a 5/32" allen wrench.



Note: If rail extends past the module mark the rail where it's flush with the module edge. Lift the module & cut the rail to remove excess. Repeat Step 1.

3 Mark the rail & cut to length
Set the last module of the row in place. Mark the rail at the outside edge of the module frame. **Cut the rail** so the end is flush with the module edge.



4 Secure Last Module(s) in row
Visually inspect to verify the ends of the rails are flush with the module edge. Cut to length as necessary.

Tighten the button head bolt to 12 ft-lbs using a 5/32" allen wrench.

Zilla® So Simple It's ScarySM

77 Waneka Pkwy • Lafayette, CO 80026 • 720.880.6700 • fax 303.664.1268 • zillarac.com

MADE IN USA MADE WITH RECYCLED MATERIAL © 2016 Zilla Corporation. All rights reserved.

v121416