

Zilla® Clip & Strip



Wire management simplified.

Zilla® offers several choices when it comes to making wire management faster, stronger and easier than ever. The Zilla® Clip and the Zilla® Strip are the ideal wire management solutions to complete your Zilla® racking installation.

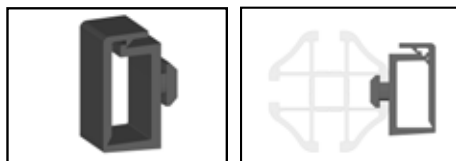
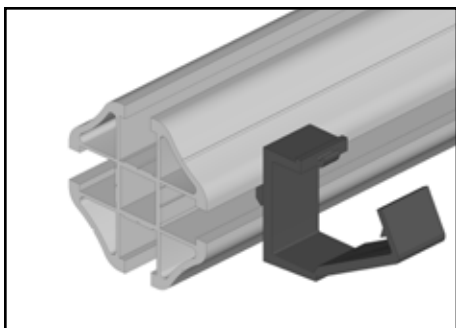
Compatibility

The Zilla® Clip and Zilla® Strips are compatible with Zilla® Rac 2.0, Zilla® Rac 3.5, Zilla® Dual Grip and Zilla® Grip rails.

Specifications

Zilla® Clip

The Zilla® Clip installs with a simple quarter turn in the channel of your Zilla® rail and exhibits exceptional strength and tolerance in extreme weather.



Zilla® Clip

Part No: ZWMC-100

Material: Badamid

Size: outside: 1.5" x 1.1" x 0.62"
inside: 1.11" x 0.53" x 0.62"

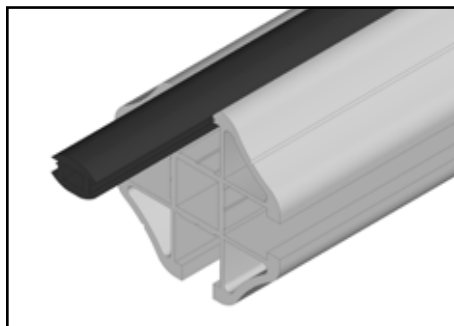
Weight: 0.01 lbs

Qty/package: 10 per package

Color: black

Zilla® Strip PVC

The Zilla® Strip PVC is a flexible wire concealment system that installs easily in the channels of your Zilla® rail.



Zilla® Strip PVC

Part No: ZST-BLK

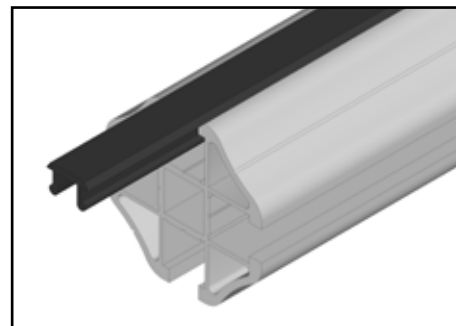
Material: PVC

Size: per foot

Color: black

Zilla® Strip Aluminum

The Zilla® Strip Aluminum is a rigid wire concealment system that installs in the channels of your Zilla® rail in a snap.



Zilla® Strip Aluminum

Part No: Custom

Material: Aluminum

Size: per foot

Color: black

Special order only